



malema sensors

# MASS FLOW METERS

With or Without LCD Display

## THF SERIES

±1% Accuracy

Linear Output

Thermal Technology

For Using in Non Corrosive Gas

For Flow Rates up to 500 SLM

Power Supply Included



The NEW-FLOW Thermal Mass Flow Meters provide high performance. Thermal Technology offers advantages in accuracy, sensitivity and turn quality components and the latest technology are combined to provide reliable, compact meters and controllers. The THF Series comes with or without an LCD display, and all models come with linear 0-5 VDC and 4-20 mA output. The THF Series measures the mass flow rate of gases in 4 ranges from 0-250 SLM to 0-500 SLM as range table.

### Technical Data

#### Wetted Material:

Standard flowbody- 316 Stainless Steel,  
Option available. O-ring- Viton.

**Output Signal:** 0-5 VDC Linear min. load 1000Ω or

4-20 mA Linear, loop resistance 500Ω

**Input Power:** 24 VDC Standard, optional power supply

15 VDC 115 VAC, 220 VAC @500mA

**Accuracy:** +/- 1% F.S (including Linearity)

**Turn Down Ratio:** 100:1

**Repeatability:** +/- 0.15% F.S or better

**Electric Connection:** 9 Pin Sub "D"

**Process Connection:** 1/2" NPT Female

**Range:** 0-250 SLM to 500 SLM

**Minimum Pressure:** 100" H<sub>2</sub>O

**Max Pressure:** 500 PSIG

**Temperature Range:** 0~50°C

**Response Time:** 1 Second

**Temp. Coefficient:** 0.05% Full scale per 1°C or better

**Pressure Coefficient:** 0.01% full scale per PSIG or better

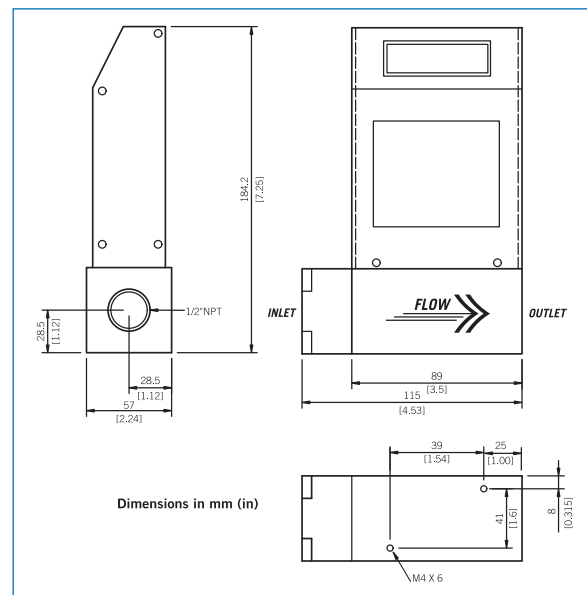
**Weight:** app. to 2.45 kg with power supply

### Range Table

Code	SLM
00	0-250
01	0-300
02	0-400
03	0~500
04	*Custom Flow Rate

**Note.** \*Please notice that the max. flow range is 500 SLM.

### Dimensions



### Ordering Information

THF	Code	Flow Range	
	00	0-250 SLM	02 0-400 SLM
	01	0-300 SLM	03 0-500 SLM
	04	*Custom size (please directly fill in the requested range.)	
		<b>Code</b>	<b>Wetted Material</b>
		(A)	SS316 (0) Option
		<b>Code</b>	<b>Process Connection</b>
		1	½" NPT (F)
		<b>Code</b>	<b>Display</b>
		W	With display 0 Without display
		<b>Code</b>	<b>Output Signal</b>
			(1) 0-5VDC (2) 4-20 mA
		<b>Code</b>	<b>Input Power</b>
			(1) 24VDC (2) 15VDC
		<b>Code</b>	<b>Power Supply for 24vdc</b>
			(1) with (2) without
THF			

#### Marketed by:

Malema Sensors  
1060 S.Rogers Circle  
Boca Raton, FL 33487  
U.S.A  
Tel: 1-561-995-0595, Fax: 1-561-995-0595  
email: IndustrialSales@malema.com  
URL: www.malema.com

